

## 7596 CURB & GUTTER INLET

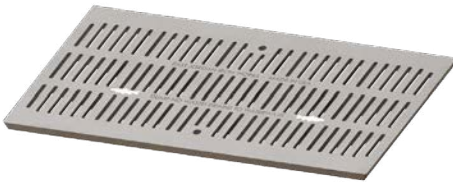
Heavy duty  
 Approximate 415 sq. in. open area  
 Uses 7595 grate

### Options

- ADA grate
- 6" height back with "DUMP NO WASTE!" lettering and fish image — 7595T1
- 8" height back with "DUMP NO WASTE!" lettering and fish image — 7595T2

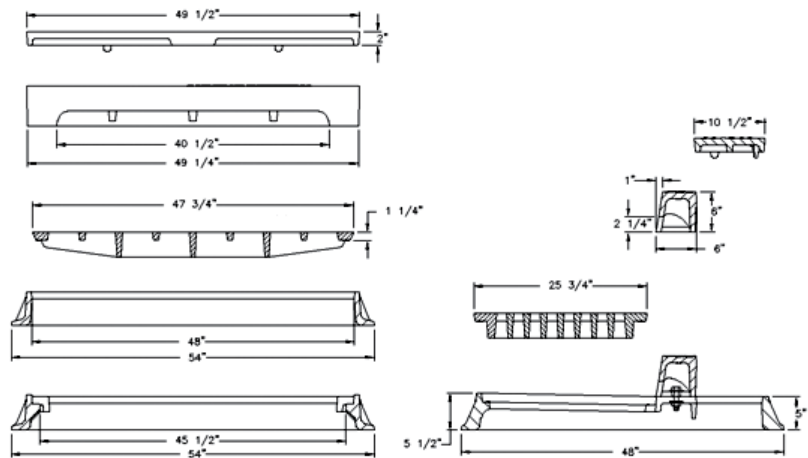


Illustrating 7596 with T1 back, 7595M1 grate and curb plate



### 7595M2 ADA Grate

Approx. 244 sq. in. open area



Supplied By:



877-903-7246

www.trenchdrainsupply.com